



10NDL65-16

10in Low Frequency Driver

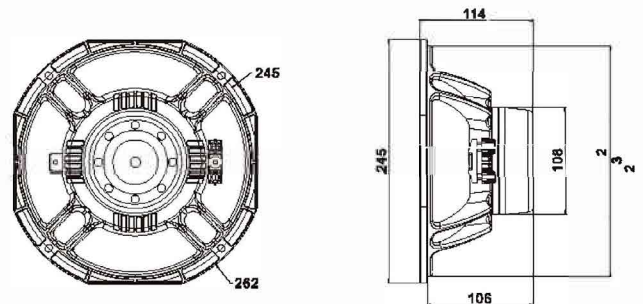
Features

- Die Cast Aluminum Basket
- Neodymium Magnet
- 2.5in Voicecoil



Specifications

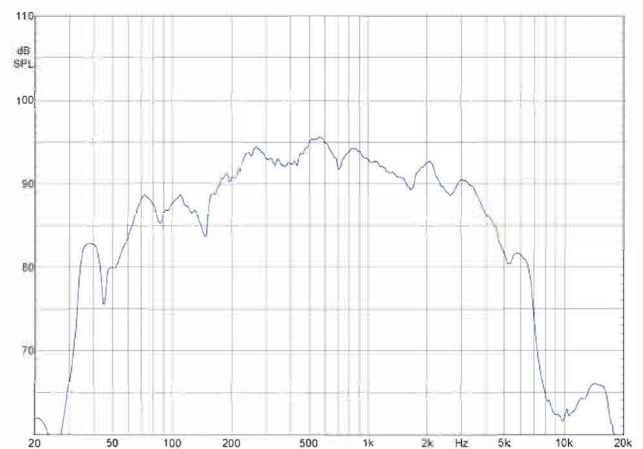
Nominal Diameter	250mm (10in)
Nominal Power (AES) ¹	250W
Program Power ²	500W
Sensitivity (1W/1m) ³	97dB
Voice Coil Diameter	65mm (2.5in)
Magnet Material	Neodymium
Nominal Impedance	16Ω
Frequency Range	65 - 5000Hz



Thiele & Small Parameters

Fs	64.5Hz
Qes	0.40
Qts	0.39
Qms	14.8
Re	10.6Ω
Sd	363cm ²
Vas	28.4L
BxL	20.7Tm
Mms	40.0g
Le (1kHz)	1.1mH
Xmax (lin.) ⁴	±2mm

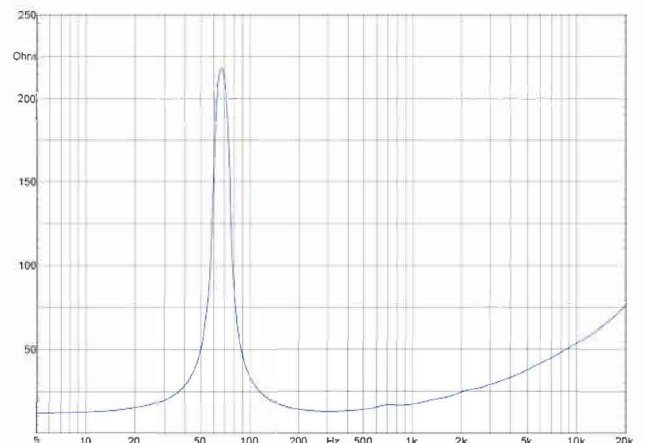
Frequency response measured in free air



Mounting Information

Overall Diameter	262mm
Mounting Holes Diameter	4x 8mm x 6,5mm
Bolt Circle Diameter	245mm
Baffle Cutout	233mm
Overall Depth	114mm
Net Weight	4.5kg

Impedance for 16Ω driver



Notes: 1 2 hours test with pink noise (6dB crest) between Fs and 10Fs. Power calculated on rated minimum impedance.
 2 Program Power is defined as 3dB greater than the AES Power
 3 RMS Voltage set to 2.83V at nominal impedance
 4 Xmax is defined as (Hc - Hg)/2