



Features

- 1.5in Voicecoil
- High Sensitivity
- Die Cast Aluminium Basket
- Extended Frequency Range

Specifications

Nominal Diameter	165mm (6.5in)
Nominal Power (AES) ¹	80W
Program Power ²	160W
Sensitivity (1W/1m) ³	95dB
Voice Coil Diameter	38mm (1.5in)
Magnet Material	Neodymium
Nominal Impedance	8Ω
Frequency Range	106 - 6500Hz

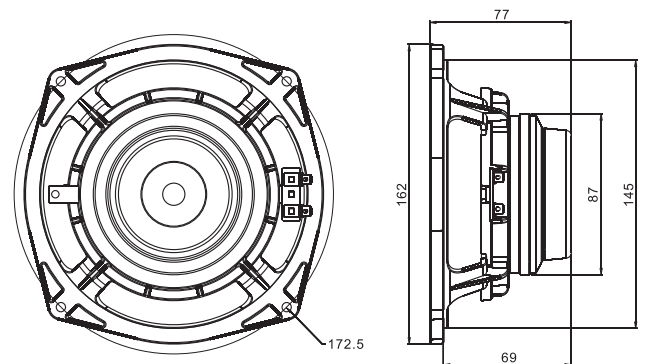
Thiele & Small Parameters

Fs	106.2Hz
Qes	0.42
Qts	0.40
Qms	8.9
Re	6.0Ω
Sd	137cm ²
Vas	5.5L
BxL	10.7Tm
Mms	10.8g
Le (1kHz)	0.3mH
Xmax (lin.) ⁴	±2.3mm

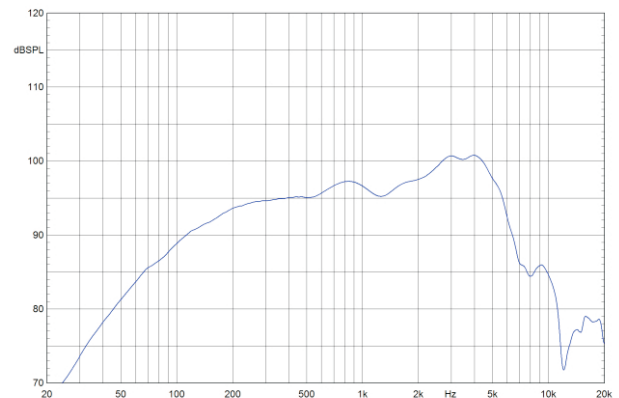
Mounting Information

Overall Diameter	186mm
Mounting Holes Diameter	4 x 5.6mm
Bolt Circle Diameter	172.5mm
Baffle Cutout	147mm
Overall Depth	77mm
Net Weight	1.2kg

- Notes:**
- 1 2 hours test with pink noise (6dB crest) between Fs and 10Fs. Power calculated on rated minimum impedance.
 - 2 Program Power is defined as 3dB greater than the AES Power
 - 3 RMS Voltage set to 2.83V at nominal impedance
 - 4 Xmax is defined as (Hc - Hg)/2



Frequency response measured in a quasi-infinite baffle



Impedance for 8Ω driver

